

POWER UP 45-50



EFFEMME

VERSIONS

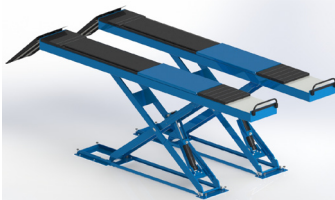
POWER UP 45-50

POWER UP 45-50 **N**



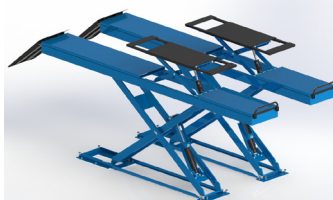
SMOOTH PLATFORMS

POWER UP 45-50 **AS**



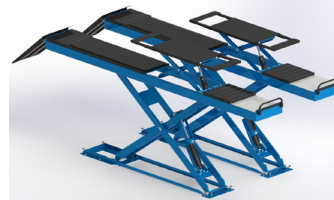
WHEEL ALIGNMENT

POWER UP 45-50 **LT**



SMOOTH platforms
with
LIFT TABLE

POWER UP 45-50 **ASLT**



WHEEL ALIGNMENT
and
LIFT TABLE

MODULS



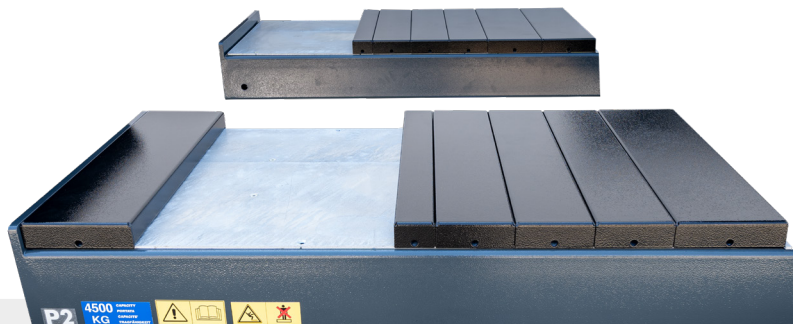
LIFT TABLE module

- ▶ Capacity: 3.500 Kg
- ▶ Platforms with double extensions



SLIDING PLATES module

- ▶ 3 different length available: **1.570 / 1.870 / 2.270**
- ▶ Rotation angle: **+/- 3°**. Type of locking: **Pneumatic**



SPACE for **TURNING PLATES / PLAY DETECTOR** module

- ▶ Plane with hot galvanizing treatment
- ▶ 3 different length of space cover

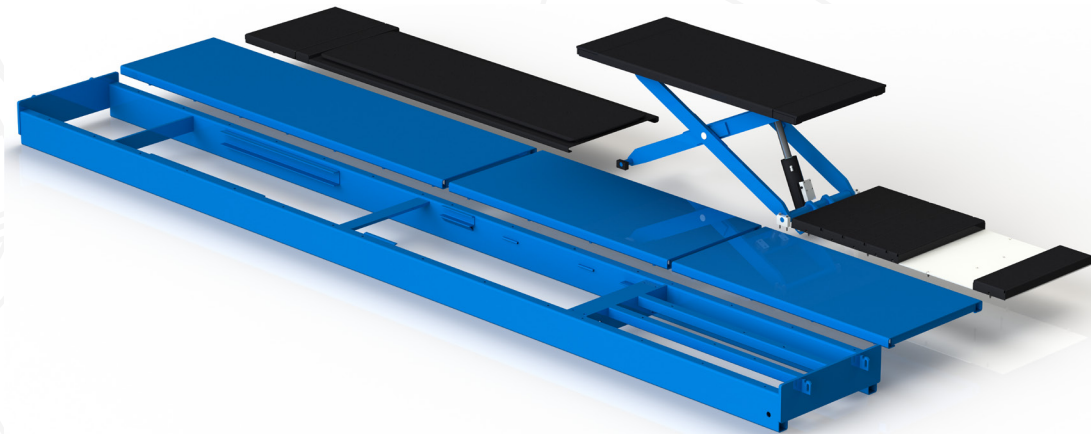


PLAY DETECTOR module

- ▶ 4 movement of **+/- 50mm**
made by **HTC** factory

MODULAR SYSTEM

POWER UP 45-50



- ▶ All modules are screwable and the platforms do not require mechanical modifications
- ▶ Possibility to change version of the lift also after the purchase by changing the moduls
- ▶ The control unit is ready for any change of version

DETAILS & FEATURES



CYLINDERS
made by our factory **HTC**



MECHANICAL SAFETY
rack on cylinder with cold
galvanizing treatment



CONTROL UNIT
with low voltage command (24V)
and 4.3" touch screen operator
panel



SECURITY STATUS SENSOR
on mechanical safety rack



PHOTOCELLS detect any
desynchronizations and
immediately stop the lift



ANTI-ROTATION of pins

POWER UP 45-50

OTHER FEATURES

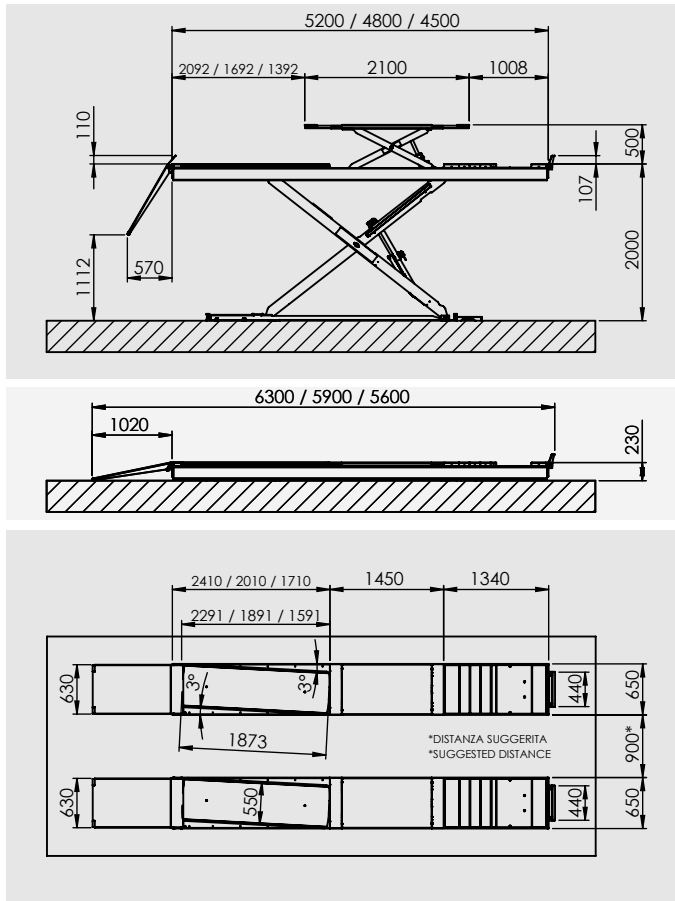
- ▶ Synchronism: **ELETRONIC** thanks to the angular sensors
- ▶ Installation: **on floor** or **inground**
- ▶ Platforms lenght available: UP45 **4.5 / 4.8 / 5.2 meters**
UP50 **4.5 / 4.8 / 5.2 / 5.5 meters**
- ▶ **Rails** for jacking beam
- ▶ **MAX PRESSURE VALVE** to prevent lifting of load exceeding the nominal capacity

TECHNICAL DETAILS

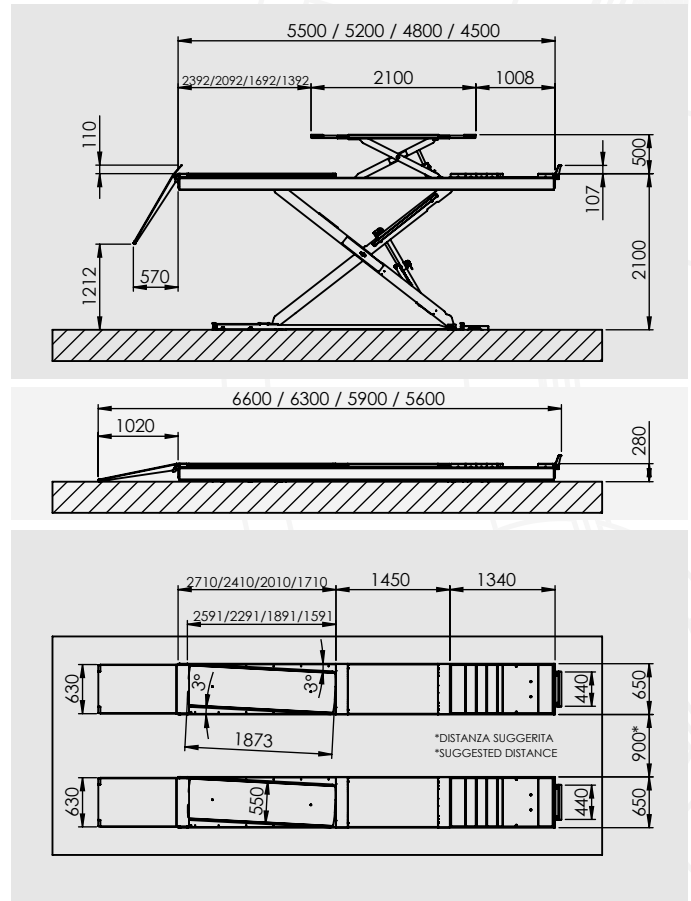
- ▶ Operation: **ELECTRO-HYDRAULIC**
- ▶ Capacity: UP45 **4.500 Kg**
UP50 **5.000 Kg**
- ▶ Weight: UP45 **1.850 / 2.400 Kg**
UP50 **2.000 / 2.600 Kg**
- ▶ Lifting time: **35 sec.**
- ▶ Lowering time: **35 sec.**
- ▶ Motor: **4 KW, 400/690 V, 50 Hz**
- ▶ Curent: **8.75 A**
- ▶ Working temperature: **-10 °C / 40 °C**
- ▶ Working max pressure: UP45 **300 bar**
UP50 **270 bar**

LAYOUT

POWER UP45



POWER UP50



STANDARD EQUIPMENT

- ▶ Painting color: BLUE - RAL 5010, RED - RAL 3020, GREY - RAL7016
- ▶ Primer treatment on platforms and bases
- ▶ Placement of the control unit 2 meters away from the lift
- ▶ **MECHANICAL SAFETY** rack on cylinder with cold galvanizing treatment